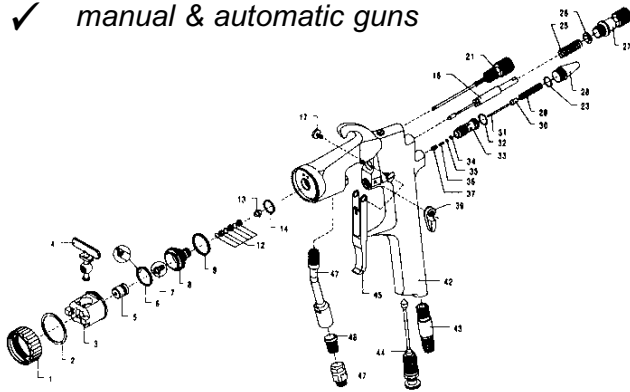


TRI-A Air Assisted Airless Spray Gun

- ✓ reversible AAA
- ✓ 140 Bar MWP
- ✓ 2 finger trigger
- ✓ CE marked
- ✓ disc tip filter built into fluid tube
- ✓ 1/4 BSP fluid inlet connection
- ✓ 1/4 BSP air inlet connection
- ✓ manual & automatic guns



83-001 TRI-A illustrated with reversible aircap & tip

TRI-A Spray Gun Models

TYPE REF	DESCRIPTION
83-001	MANUAL TRI-A AIR ASSISTED AIRLESS SPRAY GUN 140 Bar MWP (2000psi). Two air chambers, MWP 140 Bar. 1/4 BSP air & fluid inlets. Colour blue. (excludes air cap & tip)

Spare parts for TRI-A manual spray guns (83-001)

TYPE REF	DESCRIPTION	TYPE REF	DESCRIPTION
83-401	Aircap retaining ring	83-417	Air valve plug
83-402	Friction ring (PTFE)	83-418	Air valve spring
83-010	TRI-A air cap base	83-419	Air valve packing
83-011	TRI-A swiveling seal assembly	83-420	Air valve opening bar
83-012/23 K10	Nylon gasket for 83-011 (pk10)	83-421	O ring (green viton)
83-013	TRI-A ball tip & seal kit(state size)	83-422	Air valve body
83-015	TRI-A ball tip (state size)	83-433	Airneedle valve needle packing
83-403	Air cap separation gasket.	83-434	Flat washer 3x7x0.5 zinc plated
83-405	Body / nozzle holder	83-435	Air valve packing spring
83-406	PTFE packing	83-436	Air valve packing nut
83-407	Needle packing set (complete)	83-437	Trigger lock lever and screw
83-408	Packing nut	83-439	Air inlet connection 1/4 BSP male
83-409	Head cone gasket	83-440	Air control valve (complete)
83-410	Trigger pin screw	83-441	Trigger
83-411	Fluid needle (complete)	83-442	Filter housing (without filter)
83-412	Fan control adjuster (complete)	36-005-K10	Disc tip filter (pack 10) See page 31
83-413	O ring (green viton)	83-443	Fluid inlet connection 1/4 NPS
83-414	Fluid needle spring	83-444-K10	Nylon cleaning brush (pack 10)
83-415	Base for fluid needle spring	83-445	Seals & springs kit (pos.2,6,9,12,23, 25,29,30,32,34,35,36)
83-416	Fluid control adjusting valve	183-510	Dismantling wrench

For TRI-A Aircaps and Tips, see pages 67.