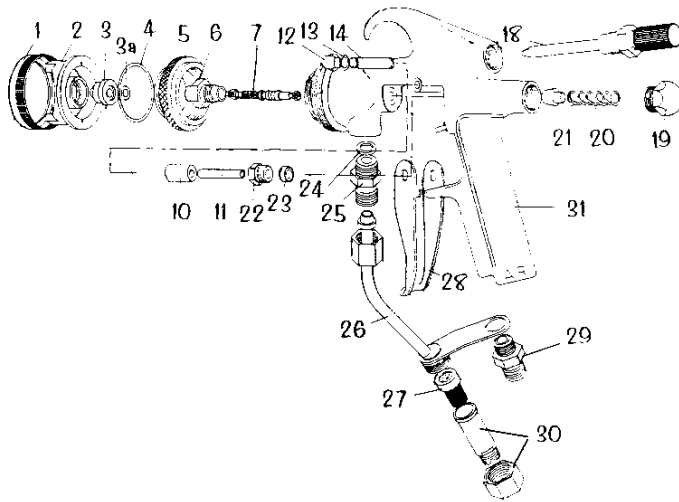


AAG-2000 Manual Air Assisted Airless Spray Gun

- ✓ 240 Bar MWP
- ✓ accepts TRI-A reversible kit
- ✓ 2 finger trigger
- ✓ fluid inlet filter included
- ✓ CE marked
- ✓ 1/4 BSP air & fluid connection



AAG-2000 illustrated with TRI-A system



AAG-2000 Models

TYPE REF DESCRIPTION

AAG-2000 AAG-2000 manual air assisted airless spray gun 240 Bar MWP 1/4 BSP male air & fluid connection, complete with disc tip housing & screen (excl spray tip) supplied with standard air cap - order TRI-A separately if required.

Spare parts for AAG-2000 spray guns

TYPE REF	DESCRIPTION	TYPE REF	DESCRIPTION
96-401	Air cap retaining ring	96-418	Fan regulator
96-401A	Air cap retaining ring TRI-A	96-419	Valve cap
96-402	Air cap (standard)	96-420	Spring
63-560/15	"AG" mixair tip (state size)	96-421	Air valve
63-562	Tip gasket	96-422	Packing nut
96-404	O ring	96-423	Valve packing
96-405	Air diffuser	96-424	Fluid gasket
96-406	Needle seat	96-425	Fluid connector
96-406/2000	Needle seat	96-426	Fluid tube
96-407/2000	Needle	36-XXX-K10	Disc tip filter (Pack 10) (See page 19 for choice of screens)
96-410/2000	Bush	96-428	Trigger
96-411/2000	Valve shaft	96-429	Air inlet connection
96-412	Nut (x2)	96-430	Disc tip filter housing
96-413	Washer (x2)		
96-414	Trigger pin		