

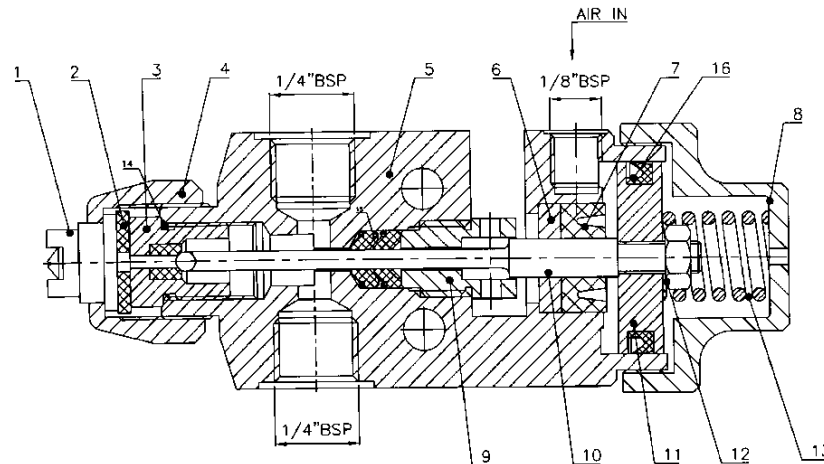
AP20 Automatic Airless Spray Gun

The AP-20 automatic airless spray gun is made from 316 stainless steel, wetted. Designed for continuous use on automatic stations up to 345 Bar MWP

AP-20 Stainless steel automatic airless spray gun illustrated with standard flat tip (not included)



- ✓ compact design (107 x 39 x 65mm)
- ✓ 316 stainless steel (wetted)
- ✓ 345 Bar MWP (5,000psi)
- ✓ 1/4 BSP(F) fluid inlets



AP20 Models

TYPE REF	DESCRIPTION
20-500	AP-20 automatic airless spray gun 345 Bar rated. Single 1/4 NPS male fluid connection
20-550	AP-20 automatic airless spray gun 345 Bar rated. 2 x 1/4 NPS male fluid connections for recirculation

Spare parts for AP20 spray guns

POS. REF	DESCRIPTION	POS. REF	DESCRIPTION
1	92-001 Nozzle 63-505	9	92-009 Packing screw
2	21-008 Nozzle Packing	10	92-010 Needle assembly
3	92-003 Seat	11	92-011 Piston disc
4	92-004 Nozzle nut	12	92-012 Nut M5
5	92-005 Gun body	13	92-013 Spring
6	92-006 Washer	14	92-014 O ring
7	92-007 Oil seal	15	92-015 Needle packing set
8	92-008 Cap nut	16	92-016 Air seal

Diffuser thread M18 x 1 accepts 88-555 speedy V or 88-455 speedy IV