

AP81 Automatic Airless Spray Gun

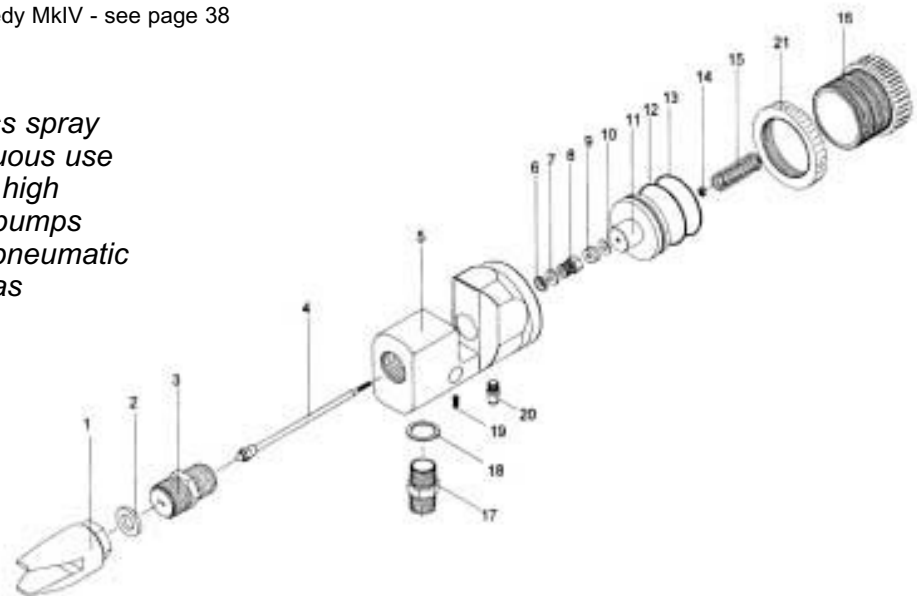


✓ 250 Bar MWP

✓ CE marked

81-500 illustrated with 88-457 Speedy MkIV - see page 38

The AP81 automatic airless spray gun is designed for continuous use on automatic stations with high pressure airless spraying pumps and feature a diffuser tip, pneumatic operation, a flat tip guard as standard.



AP81 Models

TYPE REF DESCRIPTION

81-500 AP81 automatic airless spray gun 250 Bar rated. Single 1/4 NPS male fluid connection incl speedy and tip

81-510 AP81 gun only (excl tip and base)

Spare Parts for AP81 spray guns

POS. REF DESCRIPTION

1 **81-401** Guard and nut
 3 **81-404** Fluid tip diffuser
 4 **81-405** Needle
 18 **81-406** Gasket
 17 **81-407** Nipple
 19 **81-408** Locking screw
 20 **81-409** Push in fitting
 6 **81-411** Pressure washer
 7 **81-412** Needle packing seal
 8 **81-413** Packing screw

POS. REF DESCRIPTION

9 **81-414** 'O' ring
 10 **81-415** Lip seal
 11 **81-416** Piston
 12 **81-417** 'O' ring
 13 **81-418** Lip seal
 14 **81-419** Lock nut
 15 **81-420** Gun spring
 16 **81-421** Cylinder screw cap
 21 **81421A** Ring

Diffuser thread 11/16 unf - accepts 88-557 speedy V or 88-457 speedy IV