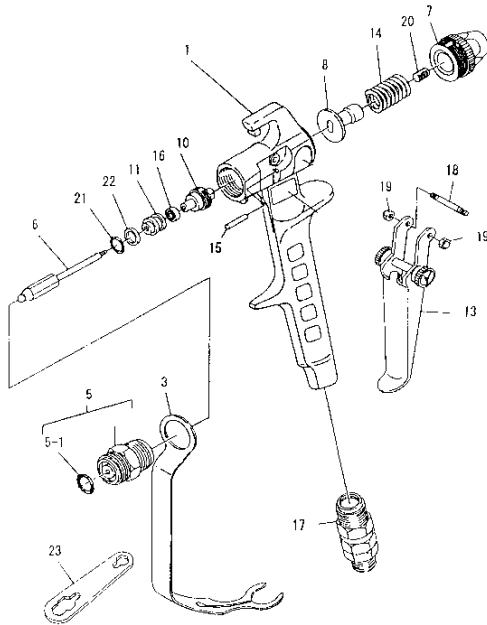


SP91 Manual Lightweight Airless Spray Gun

- ✓ 350 Bar MWP
- ✓ 2 finger trigger
- ✓ ultra lightweight (425g)
- ✓ CE marked
- ✓ swivel fluid inlet
- ✓ trigger guard
- ✓ 1/4 BSP fluid inlet connection



SP91 illustrated with Speedy MkIV (rated 400 Bar) - see page 53

SP91 Models

TYPE REF	DESCRIPTION
91-700	SP91 manual spray gun 350 Bar rated. 1/4 BSP male fluid connection inc speedy + tip

Spare parts for SP91 spray guns

POS. REF	DESCRIPTION	POS. REF	DESCRIPTION
3	91-703 Trigger guard	15	91-715 Pusher pin (x2)
5	91-705 Fluid tip diffuser	16	91-716 U packing
5-1	91-705-1 O ring	17	91-717 Swivel connection 1/4 BSP
6	91-706 Needle	18	91-718 Trigger pin
7	91-707 End cap	19	91-719 Hex. Cap nut (x2)
8	91-708 Pusher	20	91-720 Set screw
10	91-710 Packing retainer	21	91-721 O ring
11	91-711 Packing case	22	91-722 Back up ring T2
13	91-713 Trigger assembly	23	91-723 Spanner
14	91-714 Spring		

Diffuser thread M18 x 1.5 accepts 88.-556 speedy V or 88-456 speedy IV